

CONFIX™ SH conduit clips

for split cable protection conduits CONFiX™ WST



RoHS
compliant

REACH
COMPLIANCE

CONFIX™ SH Conduit clips are a one-piece clamping system to provide secure mounting points for corrugated conduit systems.

The clips are secured to their mounting position through a central mounting point with a hexagonal counter-bore.

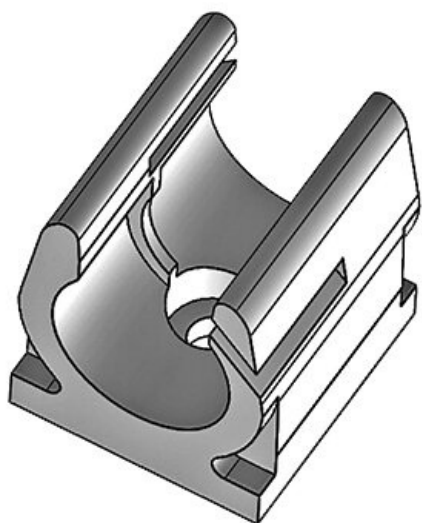
Specifications

Material	Polyamide
Flame class	UL94-V2
Operating temperature	-40 C° to 140 C°
Properties	silicone free, halogen free
Mounting options	Screw type mounting

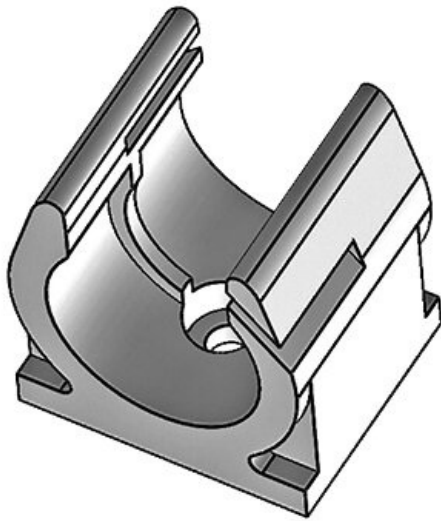
Advantages & benefits

Product types & sizes

CONFIX™ SH 10

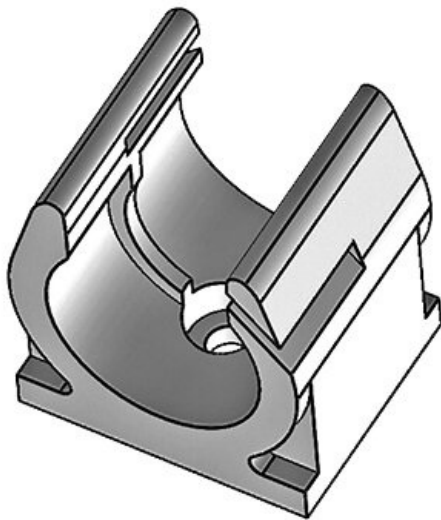


Part No.	31300	No. of screw	1
EAN	4251269300	holes	
	134	Diam. of screw	4,5 mm
Package quantity	10	holes	
Length	20 mm		
Width	18 mm		
Height	21 mm		
Nominal size	NW 10		



Part No. **31310** No. of screw **1**
EAN **4251269300** holes
141 Diam. of screw **4,5 mm**
Package **10** holes
quantity
Length **20 mm**
Width **24 mm**
Height **26 mm**
Nominal size **NW 14**

| |

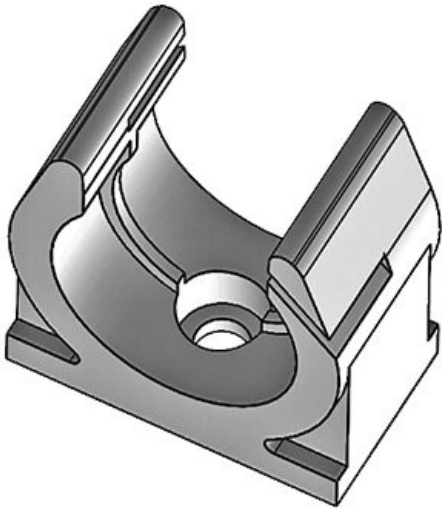


Part No. **31315** No. of screw **1**
EAN **4251269322** holes
464 Diam. of screw **6,5 mm**
Package **10** holes
quantity
Length **20 mm**
Width **30 mm**
Height **35 mm**
Nominal size **NW 16**

| |

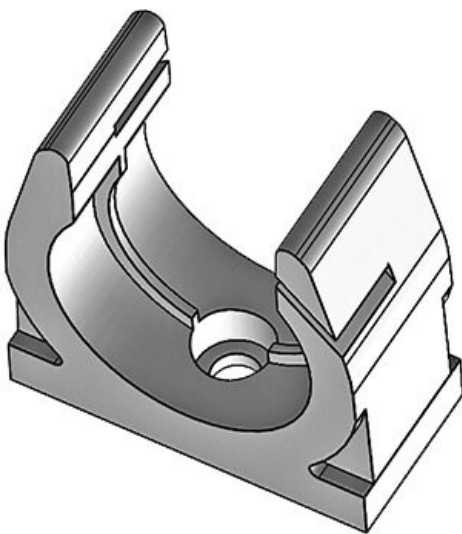
CONFIG™ SH 20

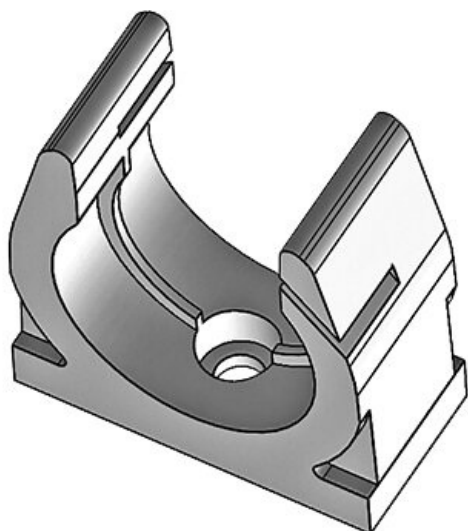
Part No.	31320	No. of screw	1
EAN	4251269300	holes	
	158	Diam. of screw	5,5 mm
Package quantity	10	holes	
Length	20 mm		
Width	35 mm		
Height	35 mm		
Nominal size	NW 20		



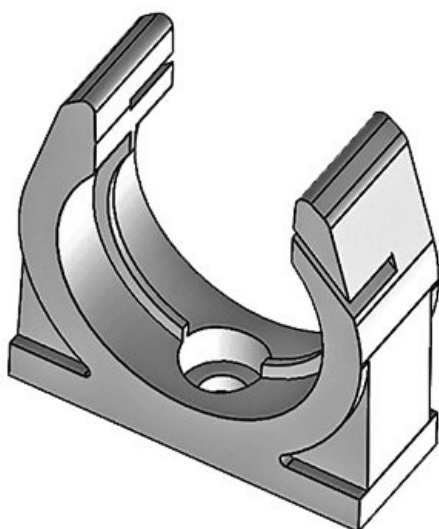
CONFIG™ SH 23

Part No.	31330	No. of screw	1
EAN	4251269300	holes	
	165	Diam. of screw	5,5 mm
Package quantity	10	holes	
Length	20 mm		
Width	42 mm		
Height	44 mm		
Nominal size	NW 23		





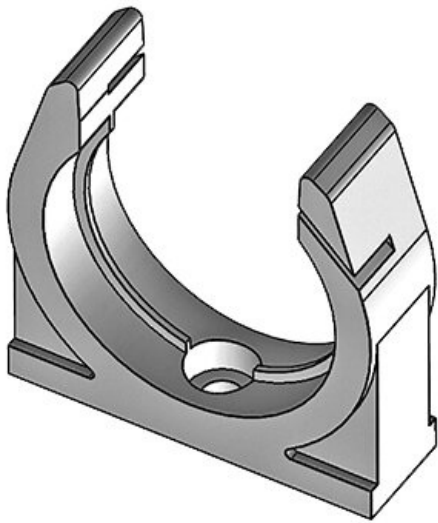
Part No.	31335	No. of screw	1
EAN	4251269319	holes	
	068	Diam. of screw	5,5 mm
Package quantity	10	holes	
Length	20 mm		
Width	48 mm		
Height	48,5 mm		
Nominal size	NW 29		



Part No.	31340	No. of screw	1
EAN	4251269300	holes	
	172	Diam. of screw	7,1 mm
Package quantity	10	holes	
Length	20 mm		
Width	55 mm		
Height	56,5 mm		
Nominal size	NW 37		

CONFIX™ SH 45

Part No.	31350	No. of screw	1
EAN	4251269300	holes	
	189	Diam. of screw	7,1 mm
Package quantity	10	holes	
Length	20 mm		
Width	67 mm		
Height	68 mm		
Nominal size	NW 45		



CONFIX™ SH 70

Part No.	31360	No. of screw	1
EAN	4251269300	holes	
	196	Diam. of screw	7,1 mm
Package quantity	10	holes	
Length	20 mm		
Width	100 mm		
Height	101 mm		
Nominal size	NW 70		

